

Application

KWT weirs are very varied and are used in surface, sewer and process water systems.

Operation

The KWT insertion weir is, for example, very suitable for dewatering a concrete pipe at a purification plant. The KSS has been built in such a way that it can be easily positioned with the related accessories in three different ways. It can be integrated, cast in or built up. The seal can retain water on two sides. The KSS is watertight on three sides.

The insertion weir is provided with a maximum surface area of 0.65 m² in connection with its manageability. It should be noted that the width and/or height of the weir plate can be 1 metre at most.

The KSS is has the highest functional level when it is deployed to provide simple closing of a canal where an accurate flow or level regulation is not necessary.

Benefits

The insertion weir requires virtually no maintenance.

Double retention.

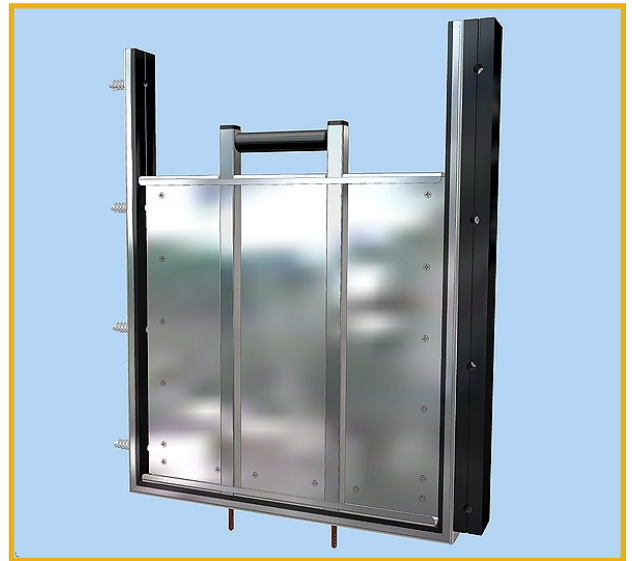
Fast installation.

Easy to install.

HDPE guide profiles ensure a smooth sliding movement of the movement plate.

Grip finished in plastic.

The sealing is on the mobile plate and, therefore, it is easy to replace. You can use multiple frames and work with one sealing plate.



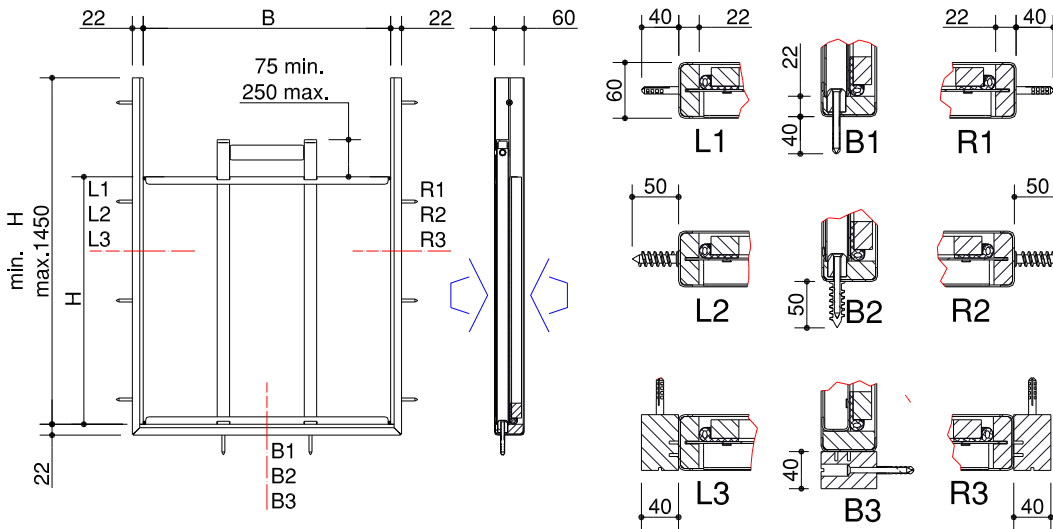
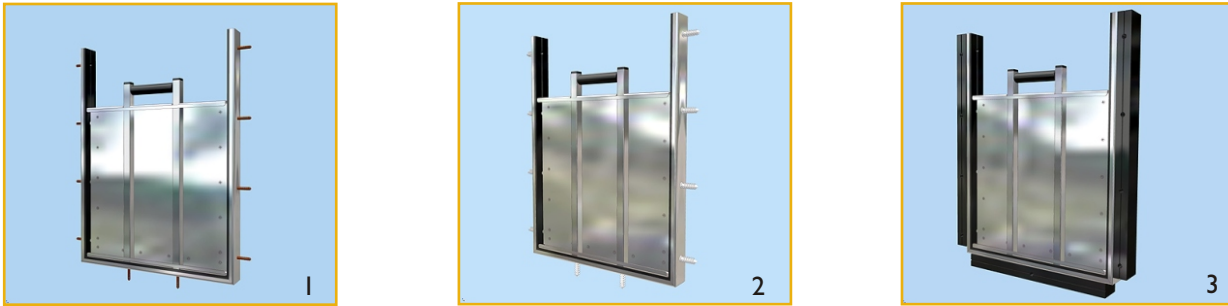
Specifications

Dimensions:	See the graph (at the rear)
Operating pressure:	Plate height
Operation method:	Manual
Operation point:	Grip on moving plate

Materials

Schuifplaat	: RVS 316L
Handgreep	: HDPE
Frame	: RVS 316L met HDPE - geleidestrippen
Afdichting	: EPDM
Bevestigingsmateriaal	: Parkers RVS 316, ingietpluggen opbouw montagestrippen, spreidpluggen.

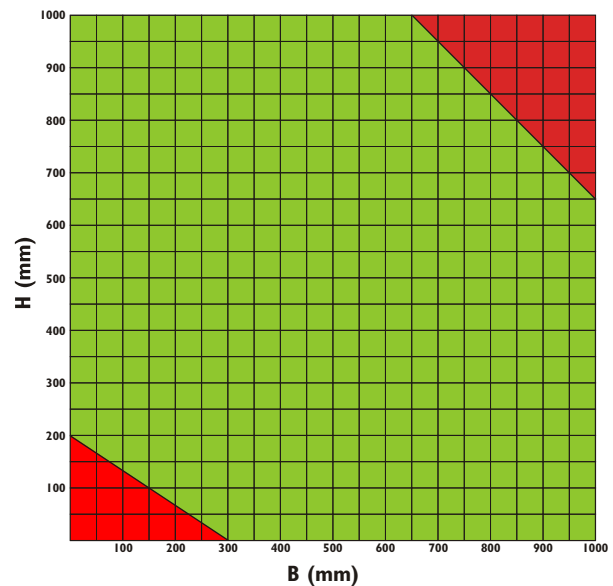
Andere materialen op aanvraag.



Type 1: Integrated

Type 2: Cast in

Type 3: Built up



Description for tenders

Insertion weir, KSS type

Manufactured by: KWT Waterbeheersing

Materials: SS316L, HDPE and EPDM

Dimensions: Width: Min. 300 mm to max. 1,000 mm

Height: Min. 200 mm to max. 1,000 mm

Operating pressure: Elevation movement plate but the insertion weir is provided with a maximum surface area of 0.65 m² in connection with its manageability.

Provided as a frame, produced from SS316L, equipped with HDPE guide strips and suitable for positioning with the supplied accessories in three ways, that is, integrated, built up or cast in.

Equipped with a removable movement plate that is made of SS316L on which a replaceable, profiled seal has been affixed mechanically. The product is watertight on 3 sides and has double retention. Grips made of HDPE.

